



Date:2026/4/9



JT-9380



UHF RFID Middle Range Integrated Reader

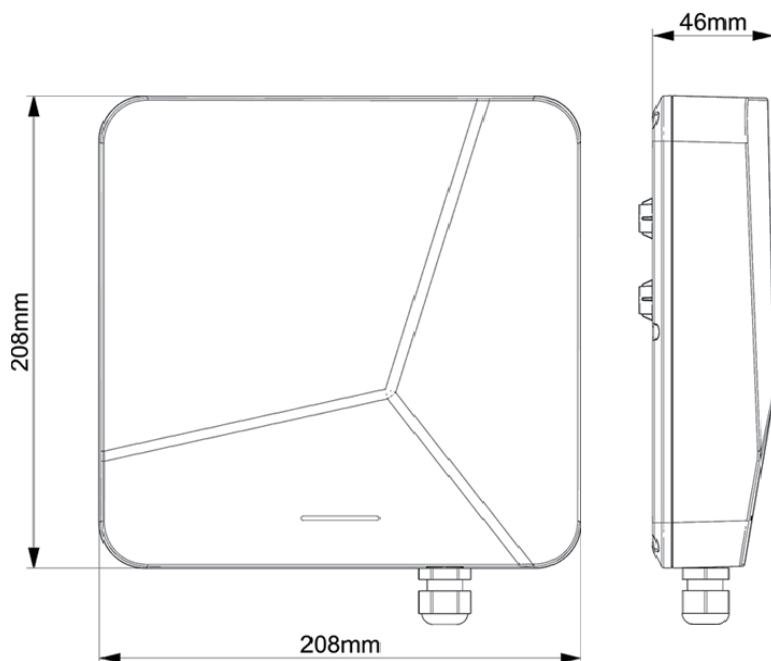
JT-9380 is a high-performance single-channel integrated RFID reader. Using self-developed high-performance RFID modules based on TM200 or Impinj E710 chips, and working together with integrated awesome 8dBi circular polarized antenna. The reader supports RS232, TCP/IP, WiFi communication interfaces. The whole series of products have a unified protocol and SDK. You only need to develop our products once to connect with all our RFID readers. JT-9380 is applicable widely in warehousing, archives management, library management, banking, production line management and other fields.

- **Support RS232, TCP/IP, WiFi remote online firmware upgrade**
- **Optional support for MQTT protocol**

SPECIFICATIONS

RFID PARAMETER	
Frequency	US:902-928 MHz
Protocol	ISO18000-6C/EPC C1 Gen2
Chip	TM200(standard) Impinj E710(optional)
Reading rate	>700 times/sec >900 times/sec
RF power	13~33dBm(adjustable) 0-33dBm(adjustable)
Antenna	8dBi circularly polarized antenna (built-in)
RSSI	Supported
Consumption	Average power consumption<9W
Reading range	0~8m (relate to tag and environment)
GPIO	2 trigger input or 2 relay outputs (customized)
Notification	LED indicator,buzzer
Baud rate	115200 bps (default)
Operate voltage	10-60V
Operate current	0.65A@30dBm,25° C 1.3A@30dBm,25° C
Power adapter	DC 12V/3A
Industrial lightning protection	6000V high voltage lightning protection
SDK	Demo&C++,C#,JAVA,Android SDK
USE ENVIRONMENT	
Operating Temp.	-40° C~+75° C
Storage Temp.	-45° C~+80° C
Humidity	5-90% non-condensing (+25° C)
PHYSICAL PARAMETERS	
Shell material	ABS & aluminum alloy
Dimensions	208(L)*208(W)*46(H)mm
Net weight	660g
Pack size	42*26*10cm
Gross weight	1.65kg
MODEL TYPE	
JT-9380B	RS232,TCP/IP(PoE optional)
JT-9380W	RS232,TCP/IP,WiFi

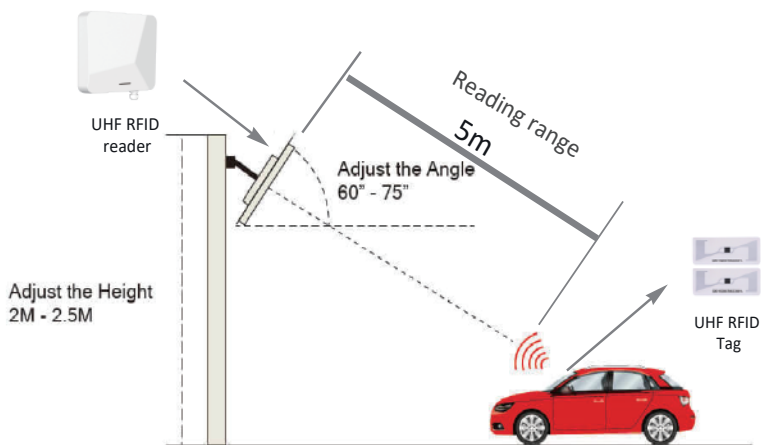
DIMENSIONS



APPLICATION



Waste Management



Vehicle Management

Shenzhen Jietong Technology Co.,Ltd

Address : 12/F,Building A, No. 6,Shiben Road,Shiyan Street,Bao'an District,Shenzhen,Guangdong,China 518108

Email : marketing@jtspeedwork.com

Website : www.jtspeedwork.com